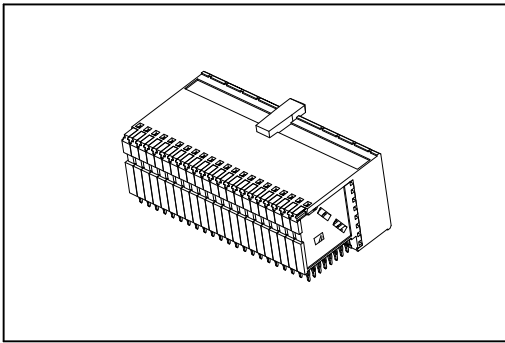


9111 Series

Hard Metric Connector Female Right Angle Type DE-25



Material:

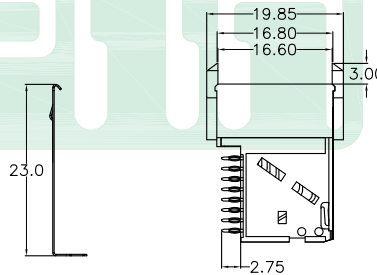
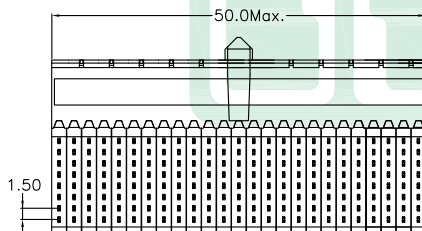
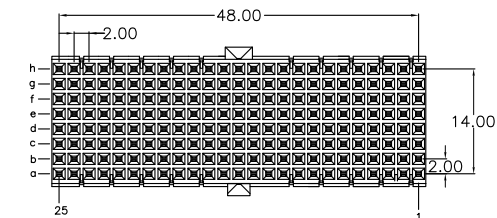
Housing: Thermoplastic Polyester Glass Filled UL94V-0.
Contacts: Copper Alloy.

Electrical Characteristics:

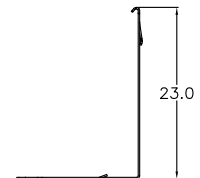
Current Rating : 1 A.
Dielectric Withstanding Voltage: AC 750V.
Insulator Resistance: 10000MΩ min.
Contact Resistance: 20mΩ max.
Operating Temperature: -55°C ~+125 °C.

Features:

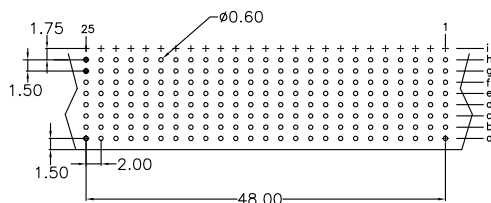
* Type DE Right Angle Female.
8 X 25 Position Fully Loaded.



Bottom Shielded



Top Shielded



P.C. Board Layout

Ordering information

9111-	10	2	DE	200	1	CB	30	A
Series	10Row	2: Female	DE: Type DE	Position	1: None Shielded 2: Top Body Shielded 3: Top Body Shielded and Bottom Shielded (Package Separately)	CB: Contact Au+Pd/Ni, Dip Tin plated	30: 30 μ"	A: Tray Package